

### AK-9 series, (recommend)



#### Button optional:

**LED color:** Red LED, BLUE LED, Yellow LED, other color LED;

**Braille:** without Braille ;

**Button Surface:** Flat surface(Normal);

**Connection:** Wire connection;

**Voltage:**24VDC, 12VDC, 6VDC

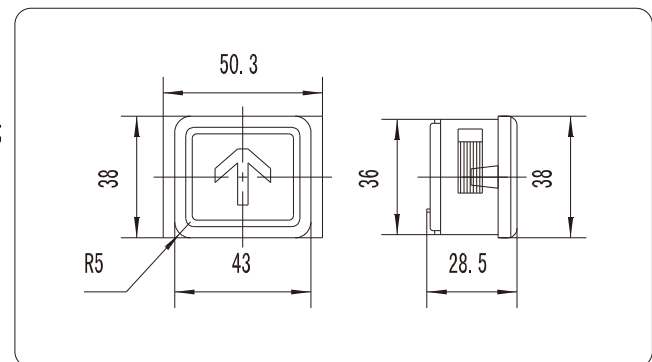
**Normal Open, Normal Close.**

**Number & Figure in button surface:** no.: 1.2.3.....64, figure: Door Open, Door Close, Arrow Up, Arrow Down, Alarm Bell, telephone, G, B, P, B1,B2, etc.

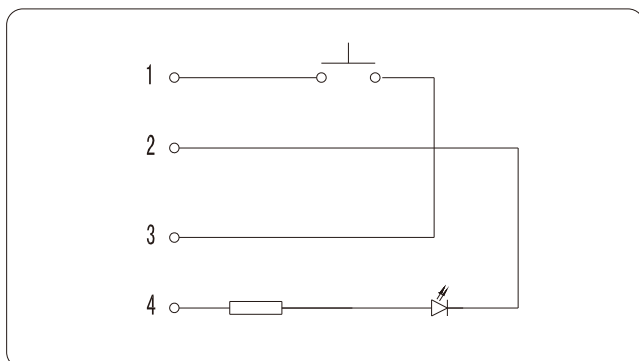
#### Feature:

Button surface material: Outer frame material and button surface cover material are ABS;  
 The thickness of installation plate: 2-3mm, Installed in panel by stainless steel clip sheet, supplied together with our button;  
 Fire-proof components, in according with European standard EN-81.  
 Life: >5 million of operation life.  
 Reference supplied for HITACHI elevator Guangzhou Hitachi NPX.

#### Figure dimension (mm):



#### Circuit diagram:



#### Install Mounting dimension (mm):

