

AK-32 series, (recommend);



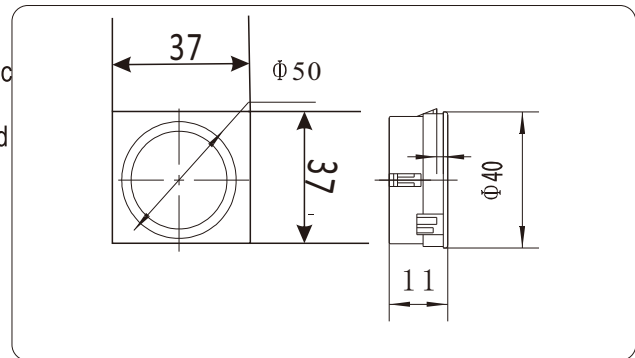
Button optional:

LED color: Red LED, BLUE LED, Yellow LED, other color LED;
Braille: Braille in button surface;
Button Surface: Flat surface;
Connection: wire connection;
Voltage: 24VDC, 12VDC, 6VDC
Normal Open, Normal Close.
Number & Figure in button surface: no.: 1.2.3.....64,
 figure: Door Open, Door Close, Arrow Up, Arrow Down,
 Alarm Bell, telephone, G, B, P, B1, B2, etc.

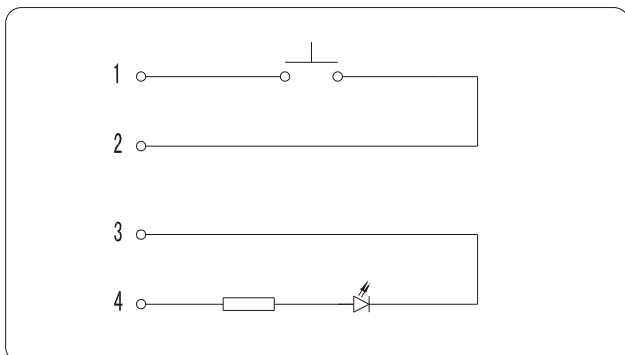
Feature:

Button surface material: Outer frame material is ABS, button button surface cover material is stainless steel;
 The thickness of installation plate: 2-3mm, Installed by plastic clipping.
 Fire-proof components, in according with European standard EN-81.
 Life: >10 million of operation life.
 Reference supplied for LG elevator.

Figure dimension (mm):



Circuit diagram:



Install Mounting dimension (mm):

